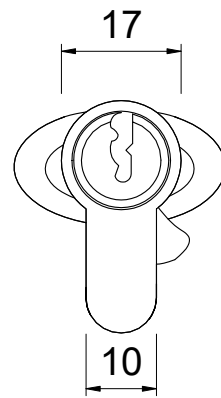
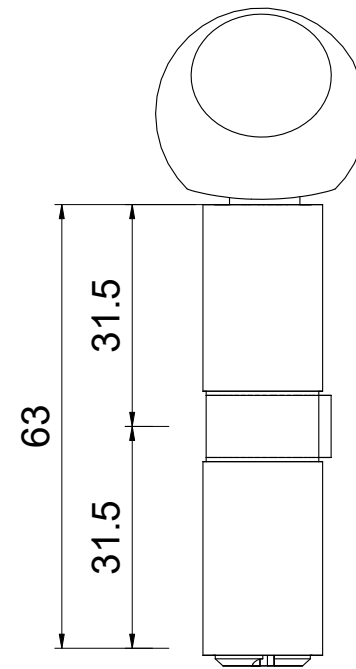


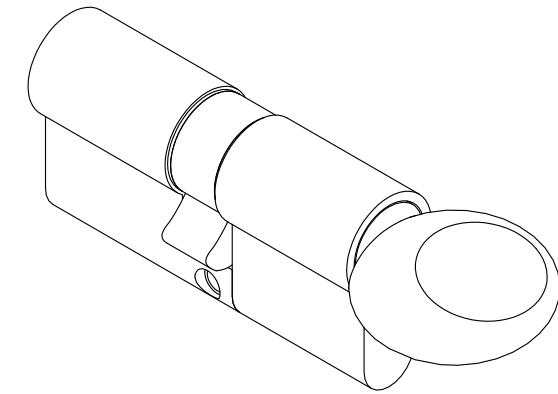
02 Side View
1:1



03 Front View
1:1



04 Top View
1:1



01 3D View

Item	Description	Finish Option
KC-9510	Tigris ® Premium, Patented Single & Turn Cylinder 3030	Satin Nickel 02, Polished Brass 20

Rev	Date	Description	Initial
Title : KC-9510			
Contract : KCC GROUP			
Scales are as shown, original drawing size A3			
		Creator : IN	
		Checked by : IS	
		Scale : N.T.S	
		First issue : 05-05-2023	
		Project No :	
DRG No :		Rev	